

# 2MP 33x Lighthunter Network PTZ Dome Camera

IPC6612SR-X33-VG



## Key Features



- High quality image with 2MP, 1/2.8" CMOS sensor
- 1920\*1080@30fps in the main stream
- Ultra 265, H.265, H.264, MJPEG
- 33X optical zoom allows for closer viewing of subjects
- LightHunter technology ensures ultra-high image quality in low illumination environment
- Up to 120 dB Optical WDR (Wide Dynamic Range)
- DC12V or PoE+(IEEE 802.3at) power supply
- Audio 1 in and 1 out, Alarm 2 in and 1 out
- Micro SD, up to 256GB
- Smart IR, up to 150m (492 ft) IR distance
- IP66 ingress protection

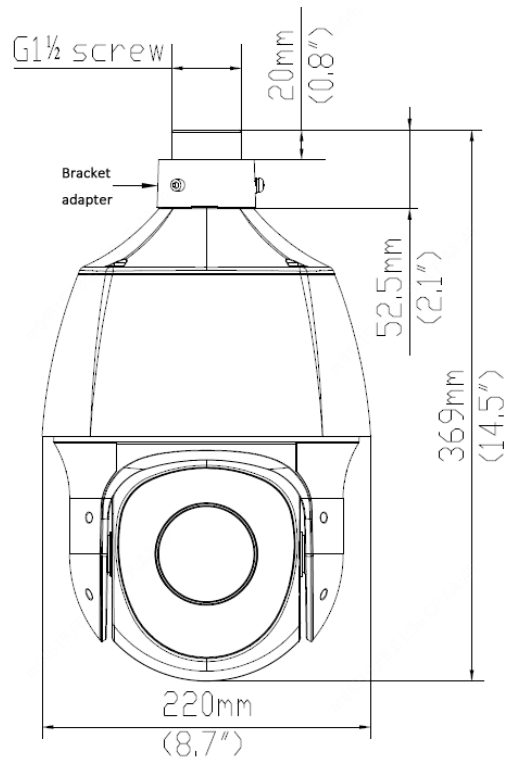
## Specifications

|                         |   |                   |                 |                 |                |
|-------------------------|---|-------------------|-----------------|-----------------|----------------|
| IPC6612SR-X33-VG        |   |                   |                 |                 |                |
| <b>Camera</b>           |   |                   |                 |                 |                |
| Sensor                  | 1/2.8", 2.0 megapixel, progressive scan, CMOS   |                   |                 |                 |                |
| Min. Illumination       | Colour: 0.001 Lux (F1.5, AGC ON)<br>0 Lux with IR   |                   |                 |                 |                |
| Day/Night               | IR-cut filter with auto switch (ICR)  |                   |                 |                 |                |
| Shutter                 | Auto, 1 ~ 1/100000s   |                   |                 |                 |                |
| WDR                     | 120dB   |                   |                 |                 |                |
| S/N                     | >52dB   |                   |                 |                 |                |
| <b>Lens</b>             |   |                   |                 |                 |                |
| Lens type               | 4.5~ 148.5mm, AF automatic focusing and motorized zoom lens   |                   |                 |                 |                |
| Optical Zoom            | 33  |                   |                 |                 |                |
| Iris                    | AutoI; F1.5 ~ F4.0  |                   |                 |                 |                |
| Angle of View (H)       | 56.2° ~ 2.6°  |                   |                 |                 |                |
| Angle of View (V)       | 33.5° ~ 1.5°  |                   |                 |                 |                |
| Angle of View (O)       | 69.1° ~ 3.1°  |                   |                 |                 |                |
| <b>DORI</b>             |   |                   |                 |                 |                |
| DORI Distance           | Lens (mm)   | Detect (m)        | Observe (m)     | Recognize (m)   | Identify (m)   |
|                         | 4.5   | 85.3(280.0ft)     | 34.1(112.0ft)   | 17.1(56.0ft)    | 8.5(28.0ft)    |
|                         | 148.5   | 1706.9 (5600.1ft) | 682.8(2240.0ft) | 341.4(1120.0ft) | 170.7(560.0ft) |
| <b>Illuminator</b>      |   |                   |                 |                 |                |
| IR Range                | Up to 150m (492 ft) IR range  |                   |                 |                 |                |
| Wavelength              | 850nm   |                   |                 |                 |                |
| IR On/Off Control       | Auto/Manual   |                   |                 |                 |                |
| <b>Video</b>            |   |                   |                 |                 |                |
| Video Compression       | Ultra 265, H.265, H.264, MJPEG  |                   |                 |                 |                |
| Frame Rate              | Main Stream: 2MP(1920*1080),Max 30fps;<br>Sub Stream: 720P (1280*720), Max 30fps;<br>Third Stream: D1 (720*576), Max 30fps; |                   |                 |                 |                |
| Video Bit Rate          | 128 Kbps~16 Mbps  |                   |                 |                 |                |
| H.264 Type              | Baseline Profile/Main Profile/High Profile  |                   |                 |                 |                |
| H.265 Type              | Main Profile  |                   |                 |                 |                |
| U-code                  | Support   |                   |                 |                 |                |
| ROI                     | Up to 8 areas   |                   |                 |                 |                |
| Video stream            | Triple streams  |                   |                 |                 |                |
| OSD                     | Up to 8 OSDs  |                   |                 |                 |                |
| Privacy Mask            | 24 areas, up to 4 blacks in the same picture  |                   |                 |                 |                |
| <b>Image</b>            |   |                   |                 |                 |                |
| White Balance           | Auto/Outdoor/Fine Tune/Sodium Lamp/Locked/Auto2   |                   |                 |                 |                |
| Digital noise reduction | 2D/3D DNR   |                   |                 |                 |                |
| Smart IR                | Support   |                   |                 |                 |                |
| Flip                    | Normal/Flip Vertical/Flip Horizontal/180°/90°Clockwise/90°Anti-clockwise  |                   |                 |                 |                |
| HLC                     | Support   |                   |                 |                 |                |
| BLC                     | Support   |                   |                 |                 |                |

|                        |  |
|------------------------|--|
| Defog                  | Digital Defog  |
| <b>Events</b>          |  |
| Basic Detection        | Motion detection, Audio detection, Tampering Alarm;  |
| Auto-tracking          | Support later  |
| General Function       | Watermark, IP Address Filtering, Alarm input, Alarm output, Access Policy, ARP Protection, RTSP Authentication, User Authentication  |
| <b>Audio</b>           |  |
| Audio Compression      | G.711U,G.711A  |
| Audio Bitrate          | 64 Kbps  |
| Two-way Audio          | Support  |
| Suppression            | Support  |
| Sampling Rate          | 8KHZ   |
| <b>Storage</b>         |  |
| Edge Storage           | Micro SD, up to 256 GB   |
| Network Storage        | ANR,NAS(NFS)   |
| <b>Network</b>         |  |
| Protocols              | IPv4, IGMP, ICMP, ARP, TCP, UDP, DHCP, PPPoE, RTP, RTSP, RTCP, DNS, DDNS, NTP, FTP, UPnP, HTTP, HTTPS, SMTP, 802.1x, SNMP, QoS, RTMP,SSL/TLS   |
| Compatible Integration | ONVIF (Profile S, Profile G, Profile T), API,SDK   |
| User/Host              | Up to 32 users. 2 user levels: administrator and common user   |
| Security               | Password protection, strong password, HTTPS encryption, Export operation logs, basic and digest authentication for RTSP, digest authentication for HTTP, TLS 1.2, WSSE and digest authentication for ONVIF |
| Client                 | EZStation<br>EZLive<br>Ezview  |
| Web Browser            | Plug-in free live view: Chrome 57.0+, Firefox 58.0+, Edge 16+, Safari 11+  |
|                        | Plug-in required live view: IE9+, Chrome 41 and below, Firefox 52 and below  |
| <b>Pan &amp; Tilt</b>  |  |
| Pan Range              | 360° (endless)   |
| Pan Speed              | 2°/s ~ 75°/s   |
|                        | Preset speed: 180°/s   |
| Tilt Range             | -15° ~ 90° (auto reverse)  |
| Tilt Speed             | 2° ~ 75°/s   |
|                        | Preset speed: 80°/s  |
| Number of Presets      | 1024   |
| Patrol                 | Preset patrol, route patrol, recorded patrol   |
| Patrol Stay Time       | 15s~1800s  |
| Preset Image Freeze    | Support  |
| Home Position          | Support  |
| <b>Interface</b>       |  |
| Audio I/O              | 1/1  |
| Alarm I/O              | 2/1  |
| Serial Port            | 1 RS485  |
| Built-in Mic           | N/A  |
| Built-in Speaker       | N/A  |
| WIFI                   | N/A  |

|                      |  |
|----------------------|--|
| Network              | 1 * RJ45 10M/100M Base-TX Ethernet   |
| Video Output         | N/A  |
| <b>Certification</b> |  |
| EMC                  | FCC CFR 47 Part 15<br>EN 55032:2015<br>EN 55024:2010<br>EN 61000-3-2:2014<br>EN 61000-3-3-2013 |
| Safety               | IEC 62368-1<br>EN 62368-1<br>UL 60950-1  |
| Environment          | CE-ROHS (2011/65/EU;(EU)2015/863); WEEE (2012/19/EU); REACH (Regulation (EC) No 1907/2006)     |
| Protection           | Ingression protection: IP66 (IEC 60529-2013)   |
| <b>General</b>       |  |
| Power                | DC12V±10% , PoE+ (IEEE802.3 at)  |
|                      | Power consumption: Max 25W   |
| Power Interface      | Ø 5.5mm coaxial power plug   |
| Dimensions (Ø x H)   | Ø220 x 369mm (Ø8.7" x 14.5")   |
| Weight               | 3.4kg(7.48lb)  |
| Working Environment  | -40°C~65°C(-40°F ~ 149°F), ≤95%RH  |
| Storage Environment  | -40°C~70°C(-40°F ~ 158°F), ≤95%RH  |
| Surge protection     | 6KV  |
| Vandal Resistant     | N/A  |
| Ingress Protection   | IP66   |
| Reset button         | Support  |

Dimensions



## Accessories

TR-CE45-IN



TR-SE45-A-IN



TR-SE45-IN



TR-UF45-A-IN



TR-WE45-IN



TR-WE45-A-IN



TR-UP08-A-IN/TR-UP08-B-IN



TR-UC08-A-IN/ TR-UC08-B-IN



TR-JB12-IN



TR-WE45-B-IN



| Pendent Mount   | Pole Mount   |
|---|--|
| TR-CE45-IN;<br>TR-UF-45-A -IN +TR-SE45-A-IN/TR-SE45-IN        | TR-WE45-IN/TR-WE45-A-IN+TR-UP08-A-IN/TR-UP08-B-IN+TR-JB12-IN |
|   |  |
| Corner Mount  | /  |
| TR-WE45-IN/TR-WE45-A-IN+TR-UC08-A-IN/ TR-UC08-B-IN+TR-JB12-IN | /  |
|   | /  |

**Zhejiang Uniview Technologies Co., Ltd.**

Building No.10, Wanlun Science Park, Jiangling Road 88, Binjiang District, Hangzhou, Zhejiang, China (310051)

 Email: [overseasbusiness@uniview.com](mailto:overseasbusiness@uniview.com); [globalsupport@uniview.com](mailto:globalsupport@uniview.com)
<http://www.uniview.com>

©2021 Zhejiang Uniview Technologies Co., Ltd. All rights reserved.

\*Product specifications and availability are subject to change without notice